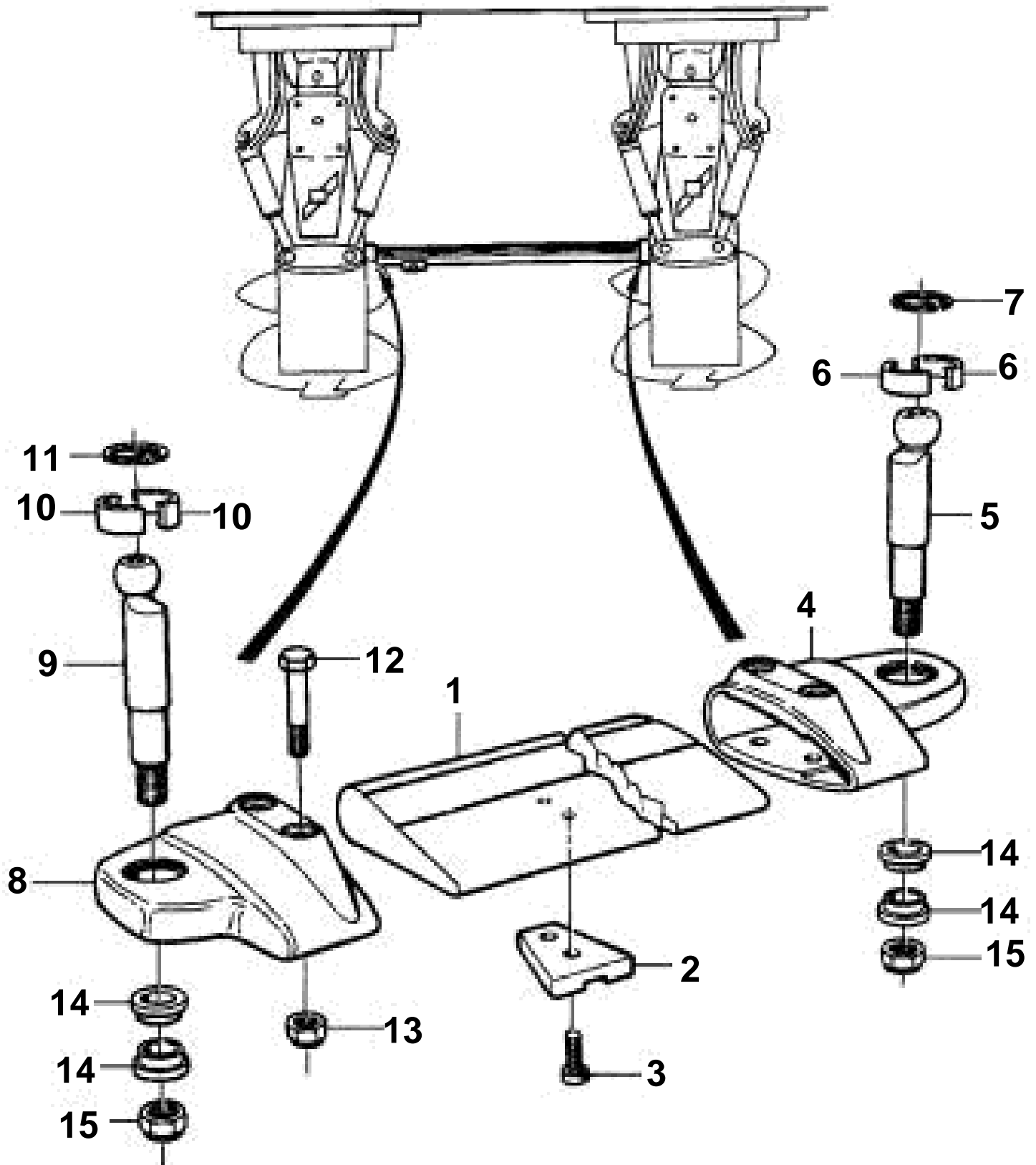


DPX-TIE BAR FOR TWIN INSTALLATION



DPX-TIE BAR FOR TWIN INSTALLATION

REF	PART NO.	QTY	DESCRIPTION
1	872345	1	Stay
2	876638	1	· Zinc anode kit
3	963684	2	· · Screw
4	872972	1	Link
5	872497	1	Ball joint
6	872349	2	Ball seat
7	872713	1	Lock ring
8	873121	1	Link
9	872497	1	Ball joint
10	872349	2	Ball seat
11	872713	1	Lock ring
12	873218	4	Screw
13	873219	4	Lock nut
14	872348	4	Washer
15	873220	2	Lock nut